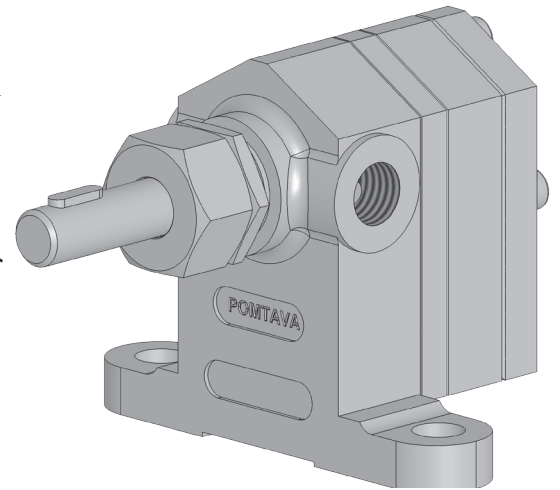


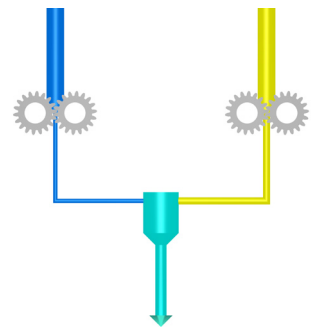
General information

The center plate and gears, the front friction plate, the cover, the drive shaft and the idler shaft are made of tempered stainless steel. The body is in cast iron. The drive shaft sealing is done by Teflon packing. A compression sleeve and a hex-nut are used to achieve the desired tightness on the drive shaft. The Teflon packing seal is the only sealing available on this model.

For dosing abrasive products, this type of pump (except for outputs of 0.1 and 0.3cc/rev) can be coated with titanium (PT1 and T1). For dosing moderately abrasive products or to increase the life of the pump, it is possible to titanium coat only the plates. It is also possible to apply a coat of ADLC (Amorphous Diamond Like Carbon) on the different elements of the pump (PT2 and T2). ADLC low friction ratio makes it the perfect solution for pumps dosing water and solvent based paints as well as for the dosage of non lubricating products.

**Technical data**

Drive shaft sealing :	Done with teflon packing (see doc. N° 643101).
Rotation speed :	Up to 200 min ⁻¹ , depending on the product involved.
Standard rotation :	Clockwise (A)
Temperature :	Max. 135°C
Acceptable output pressure :	For the 0.1cc/rev to 3.0cc/rev outputs, max. 100 bars For the 6.0cc/rev output, max. 30 bars
Input/Output :	G1/4" female, on the side
Drive shaft diameter :	Ø 12mm with 4mm key
Drive shaft to base height :	57.25mm standard ; height cannot be altered

**Options**

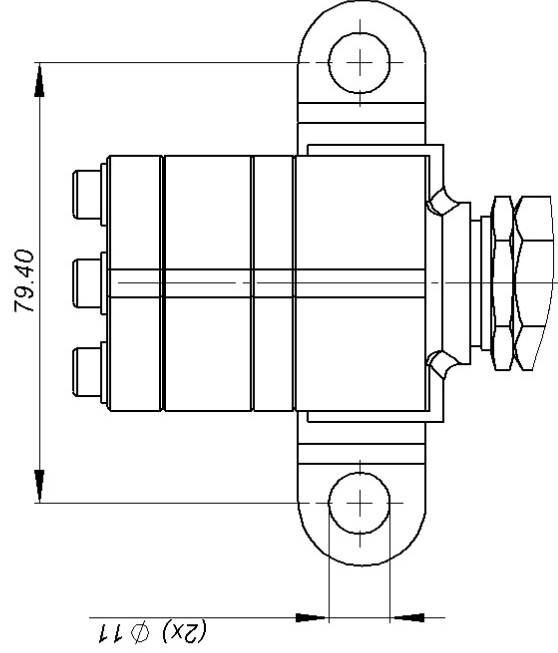
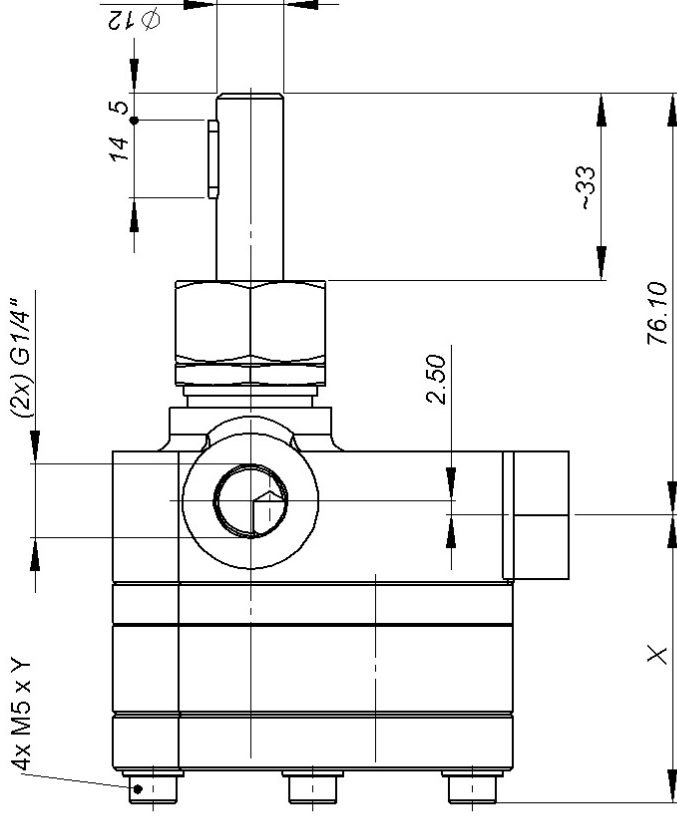
- (PT1) Front friction plate and rear cover titanium coated
- (PT2) Front friction plate and rear cover ADLC coated
- (T1) Center plate, gears, shafts, friction plate and cover (starting with 0.6cc/rev output) titanium coated
- (T2) Center plate, gears, shafts, friction plate and cover ADLC coated.
- (Z) Counter clockwise rotation
- (AZ) Clock and counter clockwise rotation
- (10) Drive shaft diameter Ø 10mm with 9mm flat
- (F) Reduced play ; usually for low viscosity products. Maximum rotation speed = 40min⁻¹.
- (J) Increased play ; usually for high viscosity products.
- (R) Pre-set for flushing ; cover allowing the addition of a simple or double by pass bloc.
- (OR) O'ring between the plates

Available outputs

0.1cc/rev 0.3cc/rev 0.6cc/rev 1.2cc/rev 1.8cc/rev 2.4cc/rev 3.0cc/rev 6.0cc/rev

Dosing gear pump type 11165

(Group 1)



Outputs (cc/rev)	0.1	0.3	0.6	1.2	1.8	2.4	3.0	6.0
X (mm)	38	38	40.5	46	45	48	51.5	68

Chongqing PACO Sci. & Tech. Development Co., Ltd.
Tel. +86-23-6879 5340 E-mail: cqpaco@hotmail.com www.chinacqpaco.com