

## Technical data

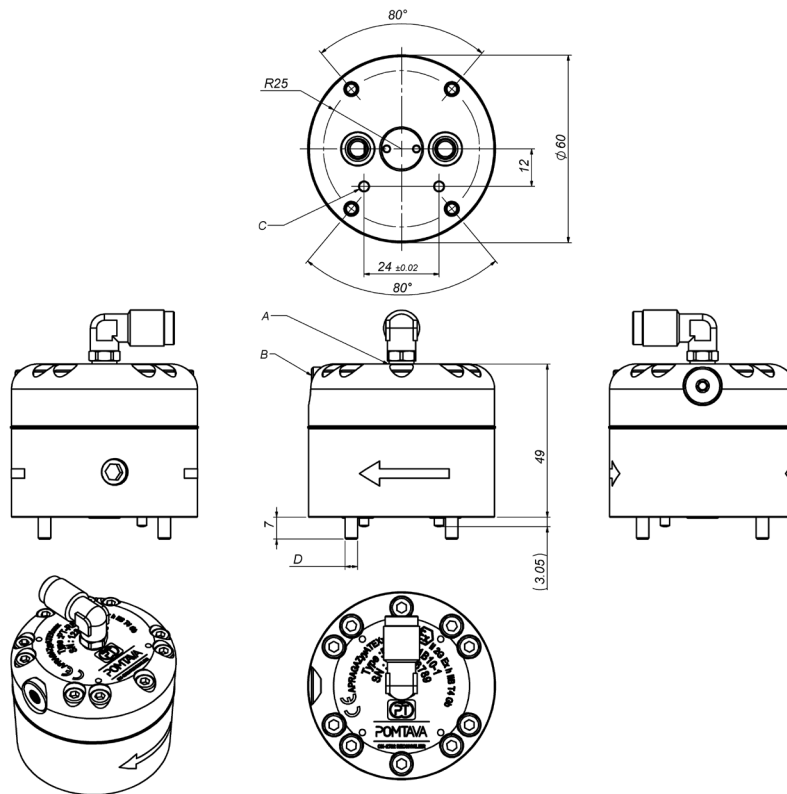
Type	PT-REG
Products	Paints, solvents, hardeners
Permissible inlet pressure	Min 0.8 bar, max 16 bar (peak allowed: 20 bar)
Outlet operating pressure	Variable from 0 to 16 bar (depending on the inlet pressure)
Control range	0.5 - 16 bar (depending on inlet pressure and air pressure)
Operating temperature	-20 °C to +40°C
Air pressure	Max 16 bar
Transmission report	1:1 (air pressure: output fluid pressure)
Body	stainless steel
Needle	stainless steel
Membrane	stainless steel / virgin PTFE
Cover	eloxed aluminum
Liquid connection	Ø 6mm, to flange
Setpoint air connection	M5, on top of the cover
Leak detector connection	M5, on the side of the cover
Dimensions without fittings	Ø 60 x 49mm
Weight	approx. 715 g



## ATEX certification

ATEX marking II 2G Ex h IIB T4 Gb

## Dimensions





## Flow curves

Test conditions: pressure pot, 1m of Ø6mm tubing, pressure regulator, 1m of Ø4mm tubing, coriolis flow meter, 1m of Ø4mm tubing and Ø1.4mm gun

